

# USER'S GUIDE

# PROGAUGE

STEPPING DRIVE  
TACHOMETER **ø60**

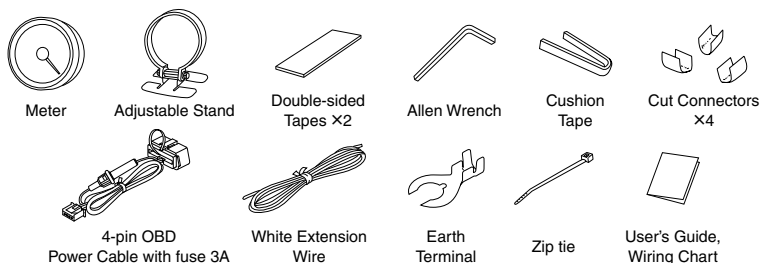
Thank you for purchasing this PIVOT product.  
Please read these instructions carefully before installing or using this device.  
Please do not lose this user's guide, as you will held liable for the cost of reissuing it.

<b>⚠ WARNING</b> Improper use or disregard of these warnings may result in the injury or death of people.	<b>⚠ CAUTION</b> Improper use or disregard of these warnings may cause injury to persons, damage the product and other things.
<ul style="list-style-type: none"> <li>● Do not work in areas where there is excessive exhaust Due to vehicle exhaust emission poisoning or fire may result in a damage to humans.</li> <li>● During installation be sure to remove the minus cable from the battery So as to prevent fire and damage resulting from shorting of circuits, etc...</li> <li>● Do not operate while driving Operating or checking the display during driving may cause an accident; please use with the utmost consideration for safety.</li> <li>● Do not crush the cable Please be careful that the cable does not get crushed by the seat rail or car door steel plate, nor cut by any sharp steel plate as this may cause a poor connection or an electric short leading to fire or other danger.</li> <li>● Please securely fasten the product to a stable place and be sure to store bundle away all wires with tape, etc... It is very dangerous to pull tangled wires by force or allow tangled wires to interfere with driving.</li> </ul>	<ul style="list-style-type: none"> <li>● Do not use electrotrap Wiring should be carried out using the attached "Cut Connector" or by soldering, make sure to securely insulate all wiring parts with insulation tape, and confirm that no wires are sticking out.</li> <li>● This product is for DC12V cars Installation cannot be carried out on cars with other voltage batteries.</li> <li>● Just after installation do not exert any strong force on the product When double-sided tape is used for an installation be warned that when hot the tape temporarily losses adhesiveness.</li> <li>● If you are not confident about doing the wiring yourself, please consult your local pro shop or garage When installing this product, we recommend that if technical knowledge becomes necessary please consult a qualified mechanic.</li> <li>● Do not install the product in any place subject to high temperature or any place where water may be splashed Make sure to replace all screws and parts to their original place</li> <li>● Do not install the product in a place where it will cause distraction</li> <li>● Do not, in any manner, process, take apart, or make changes to this product.</li> </ul>

## CONTENT

WARNING/CAUTION/CONTENTS	1
FEATURES	1
PART NAMES	1
CONNECTING THE WIRES	2
METER INSTALLATION	3
SETTINGS	1
BASIC OPERATIONS	1
TROUBLESHOOTING	1

## Check the contents



## FEATURES

**PT6 units can be connected easily to Toyota, Daihatsu and MINI models by simply connecting the coupler to the diagnostic monitor connector and for all other model cars be wired directly.**

Our PT6 is a compact (only 60ø) tachometer with a built-in sequential shift lamp like those used in F-1 racing that can be used in all types of driving from sports driving to eco-driving.

**No Wiring (some car models)**  
With some car models it is possible to connect directly using the coupler to the diagnostic monitor connector.

**SHIFT LAMP**   
The sequential lamp system gives you warning lights as you approach the set rpm.

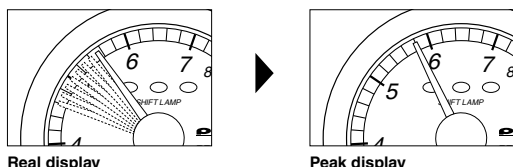
<b>1 &gt; 8</b> Compatible with cylinder wide range All 1-8 cylinder cars compatible.	<b>2 types of Display</b> Two types of display; Real / Peak.	<b>All-in-one Unit</b> No separate controller necessary.	<b>No need for Opening Holes</b> Fastening with double-sided tape means no need for opening holes.	<b>Translucent Illumination</b> The translucent LED system provides a clear even display.
--	---	---	---	--

## Function

### Two types of display

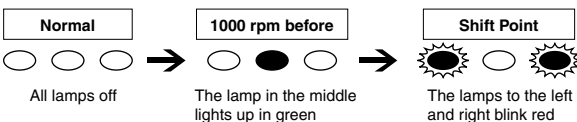
Two types of display; Real-time / Peak reading.

- REAL** The engine revolution can be seen in real time.
- PEAK** Show the peak reading after the engine begins running.



### Shift Lamp (Setting range; 3000 - 9000 rpm, 200 rpm unit)

In order to prevent over-revving while shifting, an F-1 sequential type shift has been included, which shows a green lamp 1000 rpm before the set engine rpm and a red lamp at the shift point.



### Opening Demo

When the key is turned ON the needle will move to the extreme left several times for searching position. Then it will move to the maximum value and finally to reading for current measurement item.

## POINT Some tips for setting the Shift Point !

### For Sports driving

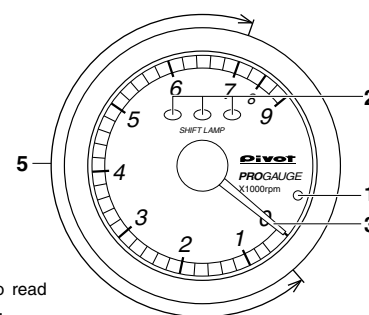
The shift point should be calculated by subtracting the over-rev at shifting from the rpm at which the maximum engine torque occurs.  
Note: In general it would be about 90% near the red-zone. (Ex: If the red-zone is 7500 rpm, then use 6800 rpm.)

### For Eco-driving

When using for Eco-driving, it is best to use a lower rpm point as the shift point, so set the point at 1000 rpm higher than normal and shift when the green lamp comes on.  
Note: The above is for your reference only; please make settings as desired.

## PART NAMES

- 1 Switch**  
Use to change modes and/or settings.
- 2 Shift Lamp (LED)**  
Blinks at the set rpm.
- 3 Needle**  
Show the current values.
- 4 Illumination (night illumination)**  
Normally illuminated when on display.
- 5 Wide Scale Display**  
The display has been made easier to read by enlarging the 500 to 7000 rpm area.



# CONNECTING THE WIRES

## Connect to the Power and RPM signal

□ = Use cut connector (or solder)

**Type A :** Car models with a ● or ○ mark in the "ECU Wiring Diagram List" (Some of TOYOTA, DAIHATSU and MINI)

**Type B :** For Popular Models (other than TOYOTA, DAIHATSU and MINI)

**Type C :** If you are not using the diagnostic monitor connector  
If you are wiring directly cut off and insulate all wires at the base of the OBD connector.

**Note 1:** If the white wire is not long enough, please use the white wire provided in this package to extend the length.  
⇒ See [Reference 2] on Page 4.

### Explanation of wires

Color	Wiring place	Details
Red	IGN	12V with key switch ON (or Normal power)
Black	GND	Screw to gain earth, etc
White	TA	RPM signal
Orange	Illumi	12V with parking lights ON

### Orange wire (There is usually no need to make wire)

This wiring is to use the lowest brightness for the shift lamp when only the parking lights are on; hence neither the dial or the needle will be it up when running with parking lights on.

**!** When another device is already connected to the RPM signal from the ECU

... and that device works properly keep that wiring.  
... and the meter or other device stops working properly or sometimes becomes unstable disconnect from the ECU wire and get the RPM from the minus terminal of ignition coil or diagnosis. (Follow the directions as written below)

**!** To get the RPM signal from other than the ECU

**!** To get the RPM signal from diagnosis (check connector)

e.g.) in case of MAZDA EUNOS ROADSTER (NA6C)

**!** To get the RPM signal from the ignition coil

When connecting the RPM signal to the ignition coil or diagnosis and the indicated rpm on the meter may be obviously lower than the actual rpm as shown on tachometer.  
e.g.) For a 6 cylinder car, the reading should be 3000 rpm, but display shows 500 rpm.  
This may be caused by the individual wiring system of that model of car. Change the cylinder setting to "1". (See page 3 **SETTING A** for details.)

### ! About Using OBD Products in Combination

If you wish to use PT6 in combination with products in our 3-drive Series or other OBD products, the "OBD2 Wiring Kit OBD-EH" (sold separately ¥3,200) makes installation a snap. For more details about using combinations of products see here. ⇒ <http://pivotjp.com/obd-e/>  
Note: When using PT6 with products mentioned above, they can only be used together in compatible model vehicles for both products.

#### [Reference 1] Notes about using the OBD Connector

Make sure to grip the distended portions when pulling it out or inserting it.

**!** **CAUTION**  
Do not pull on the wires when trying to remove the connector; the wires may become disconnected.

If you unable to get a grip on the distended portions.

With some car models it may be difficult to get a good grip on the connector.

In such case, pull out the connector by pulling on the end of the zip tie.

#### [Reference 2] How to use the Cut Connectors

- 10mm: Peel off of the vinyl cover at connection.
- 10mm: Peel off of the vinyl cover at the end of the product's wire.
- Wrap around both wire coils.
- Close tightly with cut connector.
- Insulate with vinyl tape.

Note: When crimping, please use crimpers or use pliers to bend and then solder together.

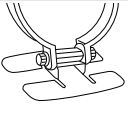
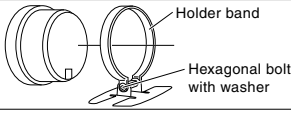
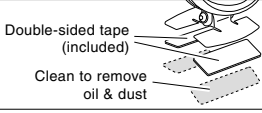

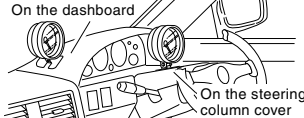
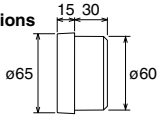
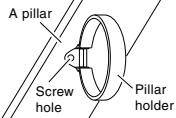
#### [Reference 3] How to use provided earth terminal

1. Peel off about 10mm of vinyl covering from the tip of the black wire.
2. Bend the outside wires around the core to make the wire thicker.
3. Crimp down on the earth terminal.
4. Connect it to a earth screw.

**Crimp down**

# METER INSTALLATION

Install in an easy-to-view location.

<b>A Install with the adjustable stand</b>		<b>B Installation with the cushion tape</b>	
 <p>Fasten using the double-sided tape. (On top of the steering column cover or dashboard)</p>	 <p>Holder band Hexagonal bolt with washer</p> <p><b>1. Installing the adjustable stand</b></p> <p>① Place the stand's holder band around the back of the meter. Note: If you cannot get the band around the meter, loosen the hexagonal bolt and expand the band. ② After getting the band in place, tighten the hexagonal bolt to secure the band.</p>	 <p>Double-sided tape (included) Clean to remove oil &amp; dust</p> <p><b>2. Installing to the car</b></p> <p>① Bend the stand to securely fit the place of installation. ② Clean the surface; removing all oil or dust. ③ Fasten using the double-sided tape. Note: Please be sure about where you wish to install the meter, as it is not advisable to reuse double-sided tape.</p>	 <p>Cushion tape Panel</p> <p>Wrap the cushion tape around the base of the meter and forcibly insert into the 60 mm hole in the panel.</p>
<p><b>Can be mounted in various places</b></p> <p>Mount almost anywhere using the double-sided tape. After mounting it is possible to for easy-reading.</p>	 <p>On the dashboard On the steering column cover</p>	<p><b>Meter dimensions</b> (unit; mm)</p>  <p>15 30 ø65 ø60</p>	<p>If you wish to open holes to fasten the unit to the pillar or column cover, please purchase and use the separately sold pillar holder.</p> <p><b>Pillar holder for ø60 PH-60 ¥1,480</b></p>  <p>A pillar Screw hole Pillar holder</p>






# SETTINGS


After finishing the installation, make various settings.

**PREPARATION** Please check the number of cylinders and cycles for the model car being used.

## SETTING A Cylinder Number Setting

Set the cylinder number for the car being used. The number of cylinders is set by the shift lamp pattern.





<p><b>1</b> OFF  <b>Press the switch</b></p> <p><b>Press the switch during the key switch OFF (meter light off)</b></p>	<p><b>3</b>  <b>OPENING DEMO</b></p>
<p><b>2</b>  <b>ENGINE START</b></p> <p>While holding the switch, start the engine within 5 seconds.</p>	<p><b>4</b>  <b>Cylinder display</b></p> <p>(The factory default setting is for a four-cylinder engine)</p>
<p><b>5</b>  <b>Press the switch once</b></p> <p>Press the switch to change the pattern and set to the proper one.</p>	

Turn 






Patterns for cylinder settings display ● = On ☀ = Blink ○ = Off

Number of cylinders	Shift lamp	Car models
1	● ○ ○	NISSAN (FAIRLADY Z Z33) · MAZDA (ATENZA and others)
2	○ ● ○	MAZDA (RX-8) · SUBARU (early type of PLEO and others)
<p>Note: For one and two cylinder engines, set the signal level switch to two. → See <b>SETTING E</b> for details.</p>		
3	○ ○ ●	Three-cylinder
4	○ ● ●	Four-cylinder, Rotary engine (RX-7)
5	● ● ○	Five-cylinder
6	● ● ●	Six-cylinder
8	● ○ ●	Eight-cylinder
Special A	☀ ○ ○	Some models of NISSAN

Reference: If the engine is a two cycle engine, multiply the number of cylinder by two. (e.g., For a two-cycle three-cylinder engine the setting would be six.)







<p><b>6</b>  <b>With no operation for 2 seconds</b></p>	<p><b>8</b>  <b>The needle will show the set shift point</b></p> <p>The lamps blink red</p>
<p><b>7</b>  <b>OPENING DEMO</b></p>	<p><b>9</b>  <b>Tachometer display</b></p>

## SETTING B Peak reading display and re-set

<p><b>1</b>  <b>Press the switch once</b></p> <p>While the tachometer is being displayed, press the switch once.</p>	<p><b>4</b>  <b>The needle will show "0"</b></p> <p>All shift lamps will light</p>
<p><b>2</b>  <b>Peak reading display</b></p>	<p><b>5</b>  <b>Tachometer display</b></p>
<p><b>3</b>  <b>Press the switch for 2 seconds</b></p> <p>Pressing the switch will re-set the peak reading.</p>	



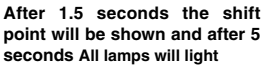



## SETTING C Shift Point Setting

Make RPM setting for turning on the shift lamp. (setting range : 3000-9000 rpm)

<p><b>1</b>  <b>Press the switch for 1.5 seconds</b></p> <p>While the tachometer is being displayed, press the switch for long.</p>	<p><b>4</b>  <b>With no operation for 2 seconds</b></p>
<p><b>2</b>  <b>The needle will show the set shift point</b></p> <p>The lamps blink red</p>	<p><b>5</b>  <b>Tachometer display</b></p>
<p><b>3</b>  <b>Press the switch</b></p> <p>While holding down the switch, change the RPM setting</p>	<p> Each pressing of the switch will raise, the setting 200 rpm; at 9000 rpm it will return to 3000 rpm.</p> <p>Note: By continually pressing down on the switch the needle will move to 9000 rpm.</p>





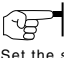
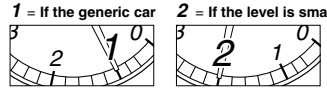


## SETTING D Shift lamp brightness setting

Make setting to change the shift lamp brightness.

<p><b>1</b>  <b>Press the switch for 5 seconds</b></p> <p>While the tachometer is being displayed, press the switch for long.</p>	<p><b>4</b>  <b>With no operation for 2 seconds</b></p>
<p><b>2</b>  <b>After 1.5 seconds the shift point will be shown and after 5 seconds All lamps will light</b></p> <p>All shift lamps will light</p>	<p><b>5</b>  <b>Tachometer display</b></p>
<p><b>3</b>  <b>Press the switch</b></p> <p> Each pressing will change the brightness.</p>	

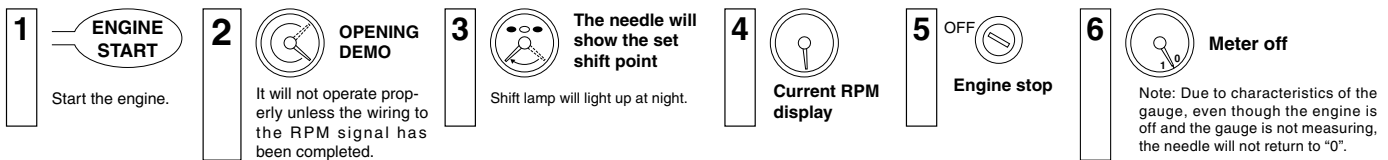
## SETTING E Switching the signal level

Changes are only necessary for those car models listed below.  
NISSAN (FAIRLADY Z Z33)/ MAZDA (after 2002)/ MITSUBISHI (COLT and others)/SUBARU (early type of PLEO and others)  
Note: See the "Wiring Chart" for details.

<p><b>1</b>  <b>During meter light Off (Key ON (engine not running))</b></p>	<p><b>3</b>  <b>OPENING DEMO</b></p>
<p><b>2</b>  <b>Press the switch for 5 seconds</b></p>	<p><b>4</b>  <b>The needle will show "1" or "2"</b></p> <p>The lamps blink red</p>
<p><b>5</b>  <b>Press the switch</b></p> <p>Set the signal detection level by pressing the switch to change the needle position to the correct setting.</p>	<p> <b>1 = If the generic car</b> <b>2 = If the level is small</b></p>
<p><b>6</b>  <b>With no operation for 2 seconds</b></p>	<p><b>7</b>  <b>Lamp Off</b></p>

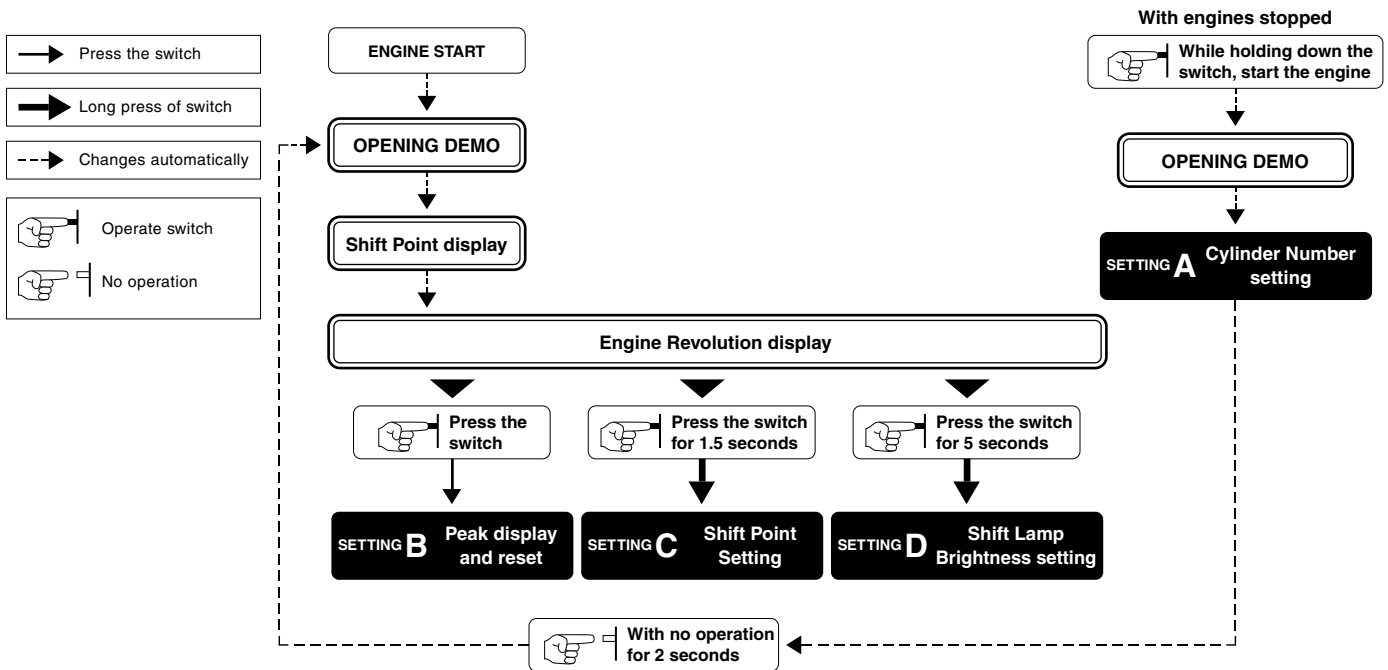
# BASIC OPERATION

Basic operation from engine start to stopping.



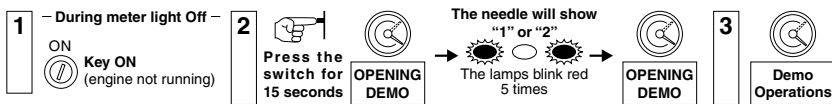
# BASIC FLOW OF OPERATIONS

Basic flow of operations for PT6.  
For details about settings see each [SETTINGS] on page 3.

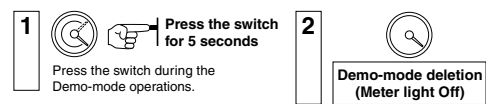


**Demo-mode setting and deletion** Demo-mode is used in stores to show and explain operations; for most users it is not necessary.

## Demo-mode setting



## Demo-mode deletion



# TROUBLESHOOTING

Trouble	Possible Causes	Possible Solutions
The OPENING DEMO does not work.	The engine does not start.	Start the engine.
	Poor connection of each wire. (It will not operate properly unless the wiring to the RPM signal has been completed.)	Check the wire connections or conditions.
Engine is running but the tachometer does not work.	Poor connection of each wire.	Check the wire connections or conditions.
	Poor connection of 4-pin connector cable or OBD connector.	Check the connector connections or conditions.
	The signal detection level is not correct.	See page 3 [SETTING E] and [Wiring Chart], make any necessary changes.
The car's tachometer and PT6 reading are very different.	The cylinder setting is wrong.	Due to difference in accuracy, readings may not be the same as those on the standard tachometer. See page 3 [SETTING A] and make any necessary changes.
	The signal detection level is not correct.	See page 3 [SETTING E] and [Wiring Chart], make any necessary changes.
The shift lamp does not light up.	The engine rpm has not reached the set shift point.	See page 3 [SETTING C] and make any necessary changes in the rpm shift point.
Even with the parking lights on, brightness of the shift lamp does not decrease.	Poor connection of orange wire (12V with parking lights ON).	Check the orange wire connections or conditions.
	The shift lamp brightness setting is set too low.	See page 3 [SETTING D], please check the setting.
The meter is operating even when the engine has been stopped.	Noise from the car (door locks and so on) may cause it to temporarily operate.	If the operation is only temporary it is not a malfunction; but if it still causes worry cut the red wire in the OBD connector and connect it to IGN.
With the key off, the needle does not rest on "0".	This is a special characteristic of the meter's movement and is not a malfunction.	
The auto-power window function and/or other electronic devices are re-set.	This is due to the minus terminal on the battery being disconnected.	Re-connect the minus terminal and follow re-setting instructions for any affected devices.